



# TITAN™ 75LC

## Surge Protection Filter

The Titan 75LC offers high quality surge suppression and noise filtration for any micro-processor based product, PLC's, Motion Control, OEM or any critical industrial load. The Titan 75LC can be installed on the incoming power source (20 amps or less), to isolate the control cabinet from the outside environment.



### APPLICATIONS

The Titan 75LC is ideal for cabinet builders as well as manufacturers and integrators of instrumentation cabinets for industrial, medical and commercial applications.

### SUPERIOR PERFORMANCE

The Titan 75LC utilizes a series/hybrid suppression circuit that delivers 40,000 peak amps of surge protection. It also provides sine wave tracking protection with up to -75 dB of noise filtration. The series design yields maximum protection, resulting in UL 1449 330V performance.

### SAFETY

The Titan 75LC provides safe and reliable operation by incorporating Efi's latest safety developments including Efi's trademarked LightningTemp® fusing technology. Each MOV is individually fused and the product is contained in a Open Type housing for maximum safety. The 75LC has been UL and cUL recognized and tested to UL 1449, complies with requirements in UL 1283, and has been CE certified.

### EASY INSTALLATION

The Titan 75LC mounts quickly and easily to any 35mm DIN Rail or can be Flange mounted. The screw lugs provide easy connection to the power system. The small footprint of the 75LC provides greater installation flexibility even in situations where space is limited.

#### FEATURES

- Compact Design
- Green Status LED
- Series Installation
- LightningTemp® Fuse

#### ADVANTAGES

- Easily and quickly mounts inside equipment cabinets
- Provides continuous status indication
- Provides the tightest clamping and noise filtration possible
- Thermal fuse capable of extreme surge currents

#### BENEFITS

- Eliminates customization costs
- Prevents unknown loss of protection
- Keeps equipment operating, even in the worst conditions
- Provides reliable operation and prevents dangerous thermal runaway when MOVs are damaged

# Titan 75LC Product Specifications

## MODELS AVAILABLE

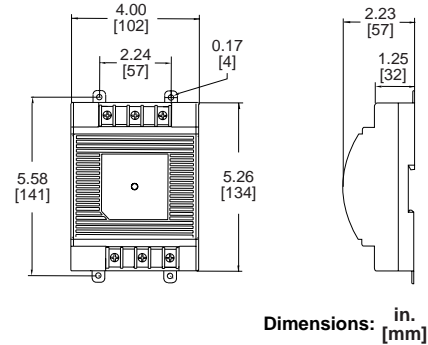
75LC120V5S(DC), 75LC120V10S(DC),  
75LC120V15S(DC), 75LC120V20S(DC),  
75LC230V5S(DC), 75LC230V10S(DC),  
75LC230V15S(DC), 75LC230V20S(DC)

## PERFORMANCE

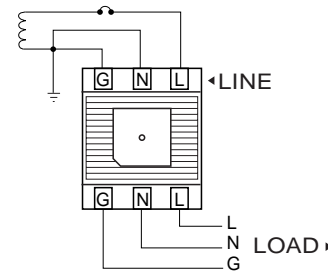
Max Surge Current 40 kA/phase, L-N 20, L-G 20, N-G 10  
EMI/RFI Noise Rejection Up to -75 dB  
Thermal Fusing Yes, LightningTemp® Fuse  
Sine Wave Tracking Yes

## MECHANICAL DESCRIPTION

Dimensions 5.26" x 4.00" x 2.23"  
Housing Ratings Open Type  
Product Weight 1 lb  
Connection Method Terminals/Spade lugs sized for #22 to #12 AWG wire  
Terminal Capacity #22 to #14 AWG Stranded wire  
Mounting Method DIN Rail or Flange Mounting  
Load Rating 5, 10, 15 or 20 AMPS  
Circuit Type Series Hybrid  
Storage Temperature -40° to +160° F (-40° to +70° C)  
Operating Temperature -40° to +140° F (-40° to +60° C)  
Operating Altitude Sea Level to 12,000 feet (3,658 Meters)



Dimensions: in. [mm]



## DIAGNOSTICS

Green Status LED, Form C Dry Contacts (optional)

## SAFETY APPROVALS

Product Standards **cULus** to UL 1449-2nd Ed, complies with requirements in UL 1283, CSA C22.2 No. 0-M91 and No. 8-M1989,  $\subset$  IEC 61643-1

## WARRANTY

Product 10 years

## TITAN 75LC SYSTEM DESCRIPTION & SAFETY RATINGS

Model	Configuration	Voltage	Continuous Current	MCOV	UL 1449 2-nd Ed Ratings		
					L-N	L-G	N-G
75LC120V5S(DC)	1 Phase, 2-wire + G	120	5	150	330	330	330
75LC120V10S(DC)	1 Phase, 2-wire + G	120	10	150	330	330	330
75LC120V15S(DC)	1 Phase, 2-wire + G	120	15	150	330	330	330
75LC120V20S(DC)	1 Phase, 2-wire + G	120	20	150	330	330	330
75LC230V5S(DC)	1 Phase, 2-wire + G	230	5	320	800	800	700
75LC230V10S(DC)	1 Phase, 2-wire + G	230	10	320	800	800	700
75LC230V15S(DC)	1 Phase, 2-wire + G	230	15	320	800	800	700
75LC230V20S(DC)	1 Phase, 2-wire + G	230	20	320	800	800	700

(DC) Form C Dry Contact Option



EFI Electronics Corporation  
1-800-877-1174  
efinet.com